

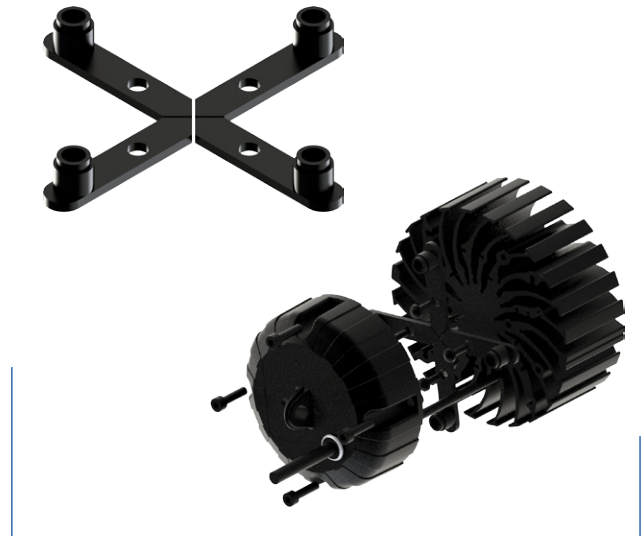


## Connector Set for Mean Well HBG series High Bay LED Drivers

### Features & Benefits

- Creates an 11mm gap and allows at the meantime an interchangeability towards all the ModuLED and CoolBay® models
- 4 versions available for connection with Mean Well HBG-60, HBG-100, HBG-160, HBG-200, HBG-240 series LED drivers

Dedicated mounting holes with MechaTronix ModuLED Mega-HBG, ModuLED Giga-HBG, CoolBay® Giga, CoolBay® Tera high bay LED coolers



### Order Information



Example : Connector set for HBG-60

Connector set for HBG - 1

**1** Compatiable driver

60 : for MW driver HBG-60

100 : for MW driver HBG-100





160 : for MW driver HBG-160 / 200

240 : for MW driver HBG-240



## Connector Set for Mean Well HBG series High Bay LED Drivers

### Product Details

<b>Model n°</b>		
	Connector set for HBG-60	Connector set for HBG-100
Dimension (mm)	ø118	ø133
Weight (gr)	65	75
Material	AL1060	AL1060
<b>Model n°</b>		
	Connector set for HBG-160	Connector set for HBG-240
Dimension (mm)	ø152	ø174
Weight (gr)	85	110
Material	AL1060	AL1060

#### Notes:

- MechaTronix reserves the right to change products or specifications without prior notice.
- Mentioned models are an extraction of full product range.
- For specific mechanical adaptations please contact MechaTronix.



## Connector Set for Mean Well HBG series High Bay LED Drivers

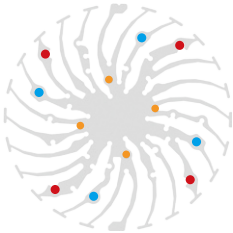
### Mounting Instructions



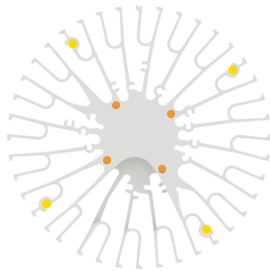
The Mean Well HBG LED drivers are specifically developed for mid bay and high bay applications. The round shape of the HBG LED drivers gives an ergonomic fitting with the ModuLED high bay cooler. Thermally this driver is specific designed to sit on top of a LED cooler, with the critical components thermally coupled to the top of the driver so free air convection can be optimal. In combination with the MechaTronix ModuLED Mega HBG this makes your ideal LED engine up to 10,000 lumen.

#### Mounting indicator marks overview on MTX High Bay LED Coolers

Keep in mind to keep a gap at least 10mm between the LED cooler and the driver to allow free air convection - this can be obtained with spacers or with the MTX dedicated mounting options.



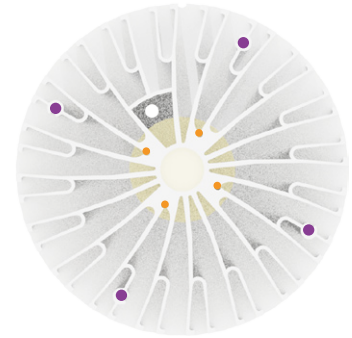
ModuLED Mega-HBG  
Top - Driver side



ModuLED Giga-HBG  
Top - Driver side



CoolBay® Giga  
Top - Driver side



CoolBay® Tera  
Top - Driver side



#### MEAN WELL HBG-60 series LED driver

##### Model Names

- HBG-60-1050
- HBG-60-1400
- HBG-60-2100

##### Driver mounting

- Direct mounting with 4 spacers + (4x) M5 screws  
keep minimal 10mm gap between the LED cooler
- Red indicator marks
- With Connector set for HBG-60 + (4x) M5 x 20mm screws  
Red indicator marks

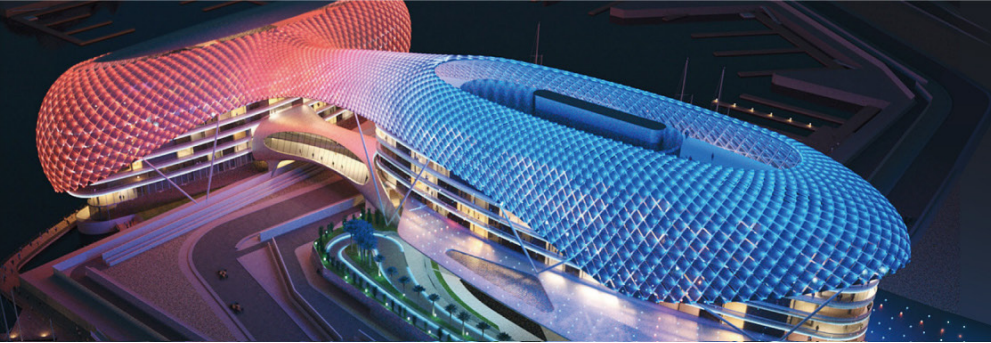
##### Model Names

- Connector set for HBG-60

##### Connector set mounting

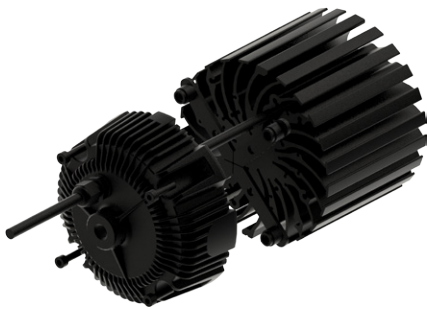
- Direct mounting on the LED cooler with 4 screws M5 x 12mm  
Orange indicator marks





## Connector Set for Mean Well HBG series High Bay LED Drivers

### Mounting Instructions



#### MEAN WELL HBG-100 series LED driver

##### Model Names

- HBG-100-24
- HBG-100-36
- HBG-100-48
- HBG-100-60

##### Driver mounting

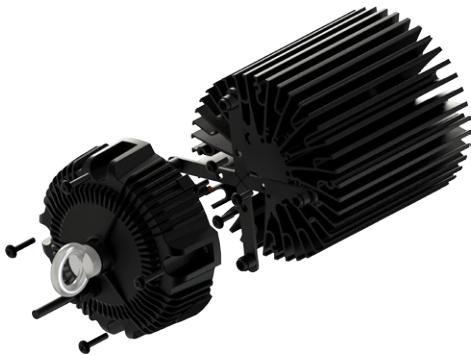
- Direct mounting with 4 spacers + (4x) M5 screws  
keep minimal 10mm gap between the LED cooler  
Blue indicator marks
- With Connector set for HBG-100 + (4x) M5 x 20mm screws  
Blue indicator marks

##### Model Names

- Connector set for HBG-100

##### Connector set mounting

- Direct mounting on the LED cooler with 4 screws M5 x 12mm  
Orange indicator marks



#### MEAN WELL HBG-160 / 200 series LED driver

##### Model Names

- HBG-160-24
- HBG-160-36
- HBG-160-48
- HBG-160-60
- HBG-200-36
- HBG-200-48
- HBG-200-60

##### Driver mounting

- Direct mounting with 4 spacers + (4x) M5 screws  
keep minimal 10mm gap between the LED cooler  
Yellow indicator marks
- With Connector set for HBG-160 + (4x) M5 x 20mm screws  
Yellow indicator marks

##### Model Names

- Connector set for HBG-160

##### Connector set mounting

- Direct mounting on the LED cooler with 4 screws M5 x 12mm  
Orange indicator marks



#### MEAN WELL HBG-240 series LED driver

##### Model Names

- HBG-240-24
- HBG-240-36
- HBG-240-48
- HBG-240-60

##### Driver mounting

- Direct mounting with 4 spacers + (4x) M5 screws  
keep minimal 10mm gap between the LED cooler  
Purple indicator marks
- With Connector set for HBG-240 + (4x) M5 x 20mm screws  
Purple indicator marks

##### Model Names

- Connector set for HBG-240

##### Connector set mounting

- Direct mounting on the LED cooler with 4 screws M5 x 12mm  
Orange indicator marks



## Connector Set for Mean Well HBG series High Bay LED Drivers

### Drawings & Dimensions

#### Example: Connector set for HBG-60

